



RWA75 series IP65 LED adjustable wall lights with high efficacy LED chips and integral electronic LED driver.

LED lighting revolution and is making energy-wasting traditional lighting technologies obsolete through the use of energy efficient, environmentally friendly LED light.

RWA75 series IP65 LED surface mounted luminaire designed with:

- Aluminium housing.
- Aluminium heat sink provides excellent thermal management
- Clear temperad glass or frosted temperad glass diffuser options
- IP65 rating.
- 240 degree adjustable head

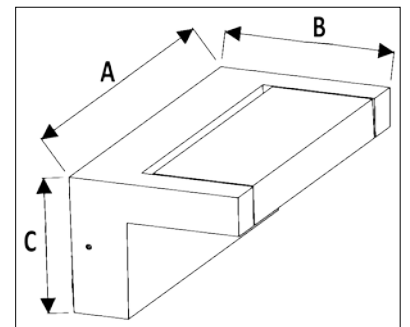
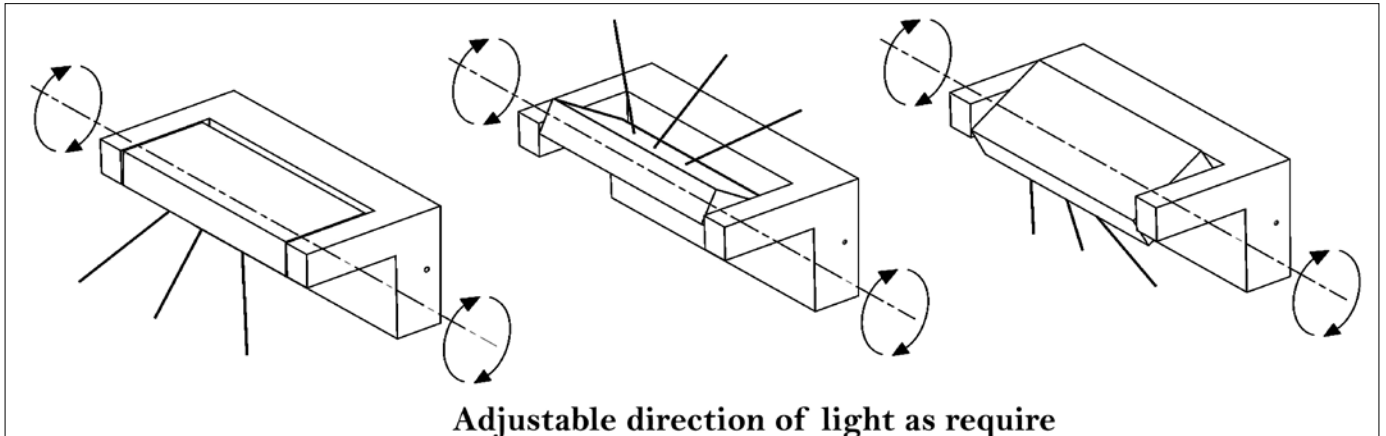
<u>LED:</u>	SMD
<u>Colour Temperature:</u>	3000K / 4000K / 5700K
<u>Colour Rendering Index:</u>	CRI80+
<u>Lamp's Life Time:</u>	50,000Hrs L70 / B10 at 25 C°
<u>Head:</u>	240° Adjustable head (30° Clockwise and 210°counterclockwise)
<u>Driver options:</u>	Integral non-dimmable
<u>IP Rating:</u>	IP65
<u>IK Rating:</u>	IK06
Available Colour:	Black

Applications:

Hospitals, Schools, Hotels, Shops, Supermarkets, Pathways, Factories and Aged Care Facilities.

Lumen output based on Absolute lumens, 4000K LED chip and manufacturers rated mA drivers.

*** NOTE: Dimensions and Cut Out sizes may change without notification.



Clear Glass Option

Frosted Glass Option

Cat	Watt	Colour Temperature	Lumen Output	CRI	Size A x B x C	IP
RWA75-10-C (Clear Glass)	10W	3000K 4000K 5700K	1294 1360 1347	80+	203 x 108 x 80	IP65
RWA75-10-F (Frosted Glass)	10W	3000K 4000K 5700K	1096 1014 1195	80+	203 x 108 x 80	IP65
RWA75-18-C (Clear Glass)	18W	3000K 4000K 5700K	2129 2152 2124	80+	203 x 108 x 80	IP65
RWA75-18-F (Frosted Glass)	18W	3000K 4000K 5700K	1869 1867 1844	80+	203 x 108 x 80	IP65

Lumen output based on Absolute lumens, 4000K LED chip and manufacturers rated mA drivers.

*** NOTE: Dimensions and Cut Out sizes may change without notification.

Installation Instruction

WARNING ⚡

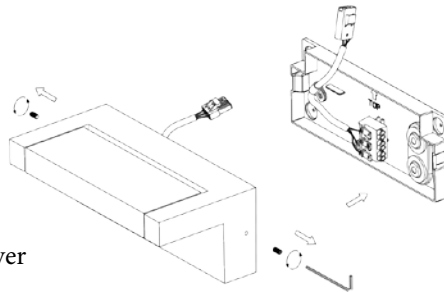
Switch off before installation or maintenance
Switch on only after installation or maintenance is completed
Professional electrician to carry out installation or maintenance



Turn off power supply before starting installation. Read instruction & check you have all required tools and accessories to complete the installation correctly.

Wall mounting Installation

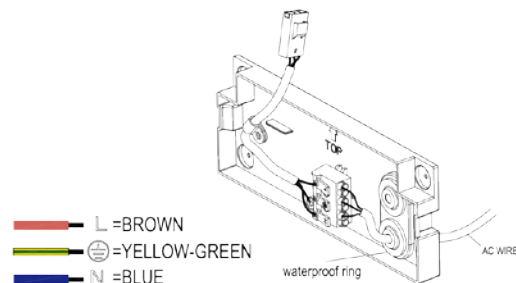
Step 1;



Loosen the screws with a hex wrench and open the back cover

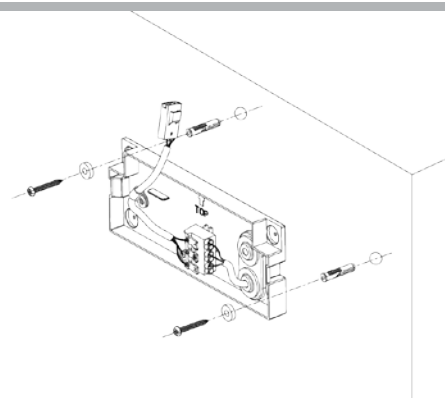
Step 2;

Insert the AC wires from the weatherproof ring into the back cover and connect wires correspondingly.



Step 3;

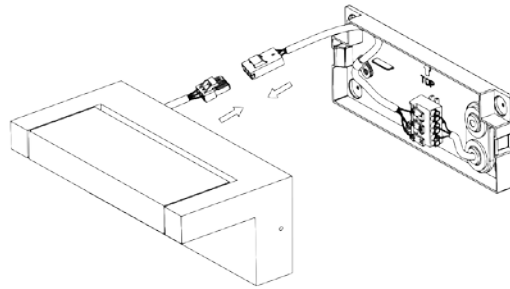
Fix the back cover to the wall.



Lumen output based on Absolute lumens, 4000K LED chip and manufacturers rated mA drivers.

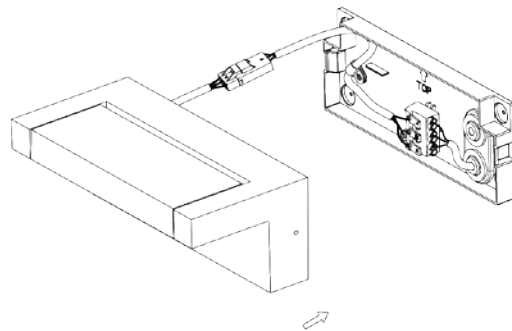
*** NOTE: Dimensions and Cut Out sizes may change without notification.

Step 4;



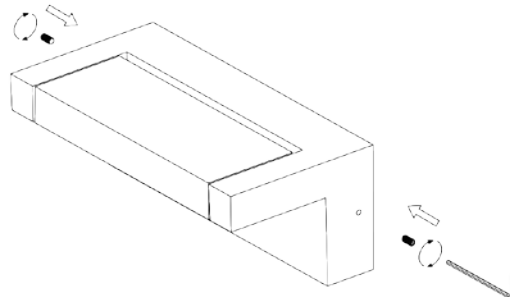
Connect Male & Female plugs

Step 5;



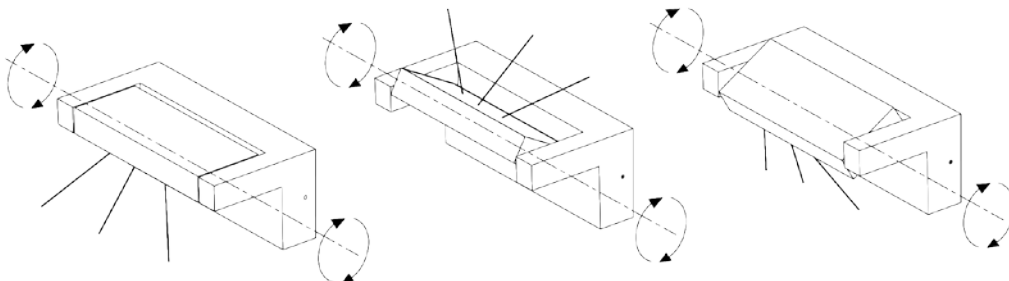
Align front cover with the back cover

Step 6;



Lock the screws with a hex wrench to fix the front cover

Step 7;



Adjust light's direction as require

Lumen output based on Absolute lumens, 4000K LED chip and manufacturers rated mA drivers.

*** NOTE: Dimensions and Cut Out sizes may change without notification.