



FOOD GRADE LED HIGH BAY



FGH Food Grade LED High Bay luminaire with optional switchable wattages & colour temperature. High efficiency LED chips from 160Lm/W and up to 200Lm/W version with integral electronic driver. Powder coated, corrosion resistant and anti-aging with smooth surface that reduces built up dust and are easy to clean.

<u>CRI:</u>	CRI70+ / CRI80+
<u>Colour Temperature:</u>	Single Colour: 3000K / 4000K / 5000K “Optional” Switchable Colour: 3000K / 4000K / 5000K
<u>Beam Angle:</u>	90° / 120° / Aluminium Reflector 60°
<u>Life Time:</u>	50,000Hrs L70 / B10 at 25 °C
<u>Driver options:</u>	Non-dimmable / DALI Dimmable
<u>IK Rating:</u>	IK10
<u>IP Rating:</u>	IP69K
<u>Mounting options:</u>	Suspended mounted / Ceiling mounted
<u>Available Colour:</u>	White, Grey, Black or Orange finish.

Applications:

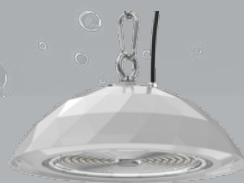
Food processing, Poultry & Meat processing, Beverage processing, Grain & Sugar factories, Pet food production area, Warehouse, Factories

Lumen output based on Absolute lumens, 4000K LED chip and manufacturers rated mA drivers.

*** NOTE: Dimensions and Cut Out sizes may change without notification.



WHITE



GREY



BLACK



ORANGE



STANDARD



PC REFLECTOR



60° ALUMINIUM REFLECTOR

IP69K FOOD GRADE INDUSTRIAL HIGH BAY LUMINAIRE

IP69K weatherproof, corrosion resistant and anti aging. Perfect appearance and design with smooth Surface for easy cleaning. Durable corrosion resistant powder coat finish.

160Lm/W Series

Cat	Watt	Colour Temperature	Lumen Output 90°	Size Dia x Height	CRI
FGH/1-100	100W	4000K	15490	Ø402 X 201	CRI80+
FGH/1-150	150W	4000K	23296	Ø402 X 201	CRI80+
FGH/1-200	200W	4000K	31230	Ø402 X 201	CRI80+

200Lm/W Series

Cat	Watt	Colour Temperature	Lumen Output 90°	Size Dia x Height	CRI
FGH/2-100	100W	4000K	19090	Ø402 X 201	CRI70+ (Optional CRI80+)
FGH/2-150	150W	4000K	28596	Ø402 X 201	CRI70+ (Optional CRI80+)
FGH/2-200	200W	4000K	38030	Ø402 X 201	CRI70+ (Optional CRI80+)

Optional Extras

Options	Suffix	Comments
CRI80+ LEDs	840	For 200Lm/W fittings Specify as "FGH/2-100-840"
90 Degree beam	90	90° Spread lens Specify as "FGH/1-100-90"
120 Degree beam	120	120° Spread lens Specify as "FGH/1-100-120"
PC Reflector	PC	PC Reflector Specify as "FGH/1-100-PC"
Aluminium Reflector	ALU	ALU Reflector Specify as "FGH/1-100-ALU"
DALI Dimmable	EBD	DALI Dimmable LED driver
Ceiling mounting bracket	CB	Ceiling mounting bracket in white finish (Fixed)
Switchable Watt and Switchable Colour Temperature	SWT	Switchable Wattage: 100W / 150W / 200W and Switchable Colour Temperature: 3000K / 4000K / 5000K



Lumen output based on Absolute lumens, 4000K LED chip and manufacturers rated mA drivers.

*** NOTE: Dimensions and Cut Out sizes may change without notification.



WHITE



GREY



BLACK



ORANGE



STANDARD



PC REFLECTOR



ALUMINIUM REFLECTOR



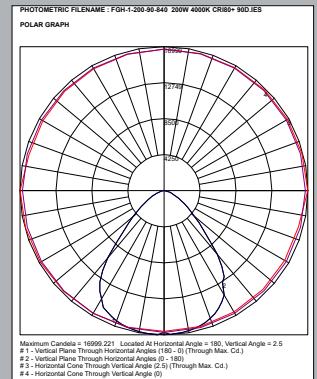
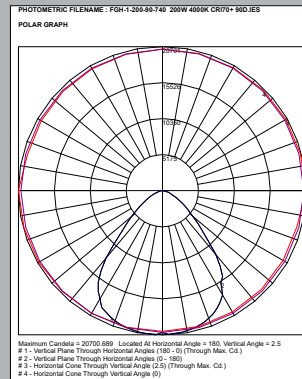
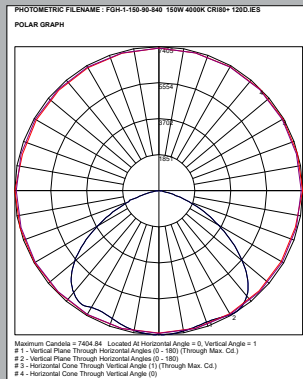
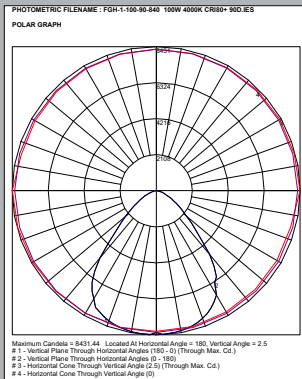
CEILING MOUNTED



100W ↑
150W →
200W ↓

3000K ↑
4000K ←
5000K ↓

Switchable Watt and Switchable Colour Temperature
(Optional - Specify as " SWT ")



Lumen output based on Absolute lumens, 4000K LED chip and manufacturers rated mA drivers.

*** NOTE: Dimensions and Cut Out sizes may change without notification.