



RBN19 series IP65 LED wall lights with high efficacy LED chips and integral electronic LED driver.

RBN19 series IP65 LED surface mounted luminaire designed with:

- Polycarbonate housing.
- UV-stabilised, Impact resistant opal polycarbonate diffuser.
- Silicon gasket for IP65 rating.
- Has no screw on surface, corrosion resistant and with IP65 protection
- PIR Sensor with Daylight sensor option is available

<u>LED:</u>	SMD2835
<u>Colour Temperature:</u>	<u>Switchable:</u> 3000K / 4000K / 5700K
<u>Colour Rendering Index:</u>	CRI80+
<u>Lamp's Life Time:</u>	50,000Hrs L70 / B10 at 25 C°
<u>Beam Angle:</u>	120°
<u>Driver options:</u>	Integral non-dimmable
<u>IP Rating:</u>	IP65
<u>IK Rating:</u>	IK08 (non-sensor fittings only)
<u>Available Colour:</u>	Black or White

Applications:

Hospitals, Schools, Hotels, Shops, Supermarkets, Pathways, Factories and Aged Care Facilities.

Lumen output based on Absolute lumens, 4000K LED chip and manufacturers rated mA drivers.

*** NOTE: Dimensions and Cut Out sizes may change without notification.



RBN19



RBN19/G



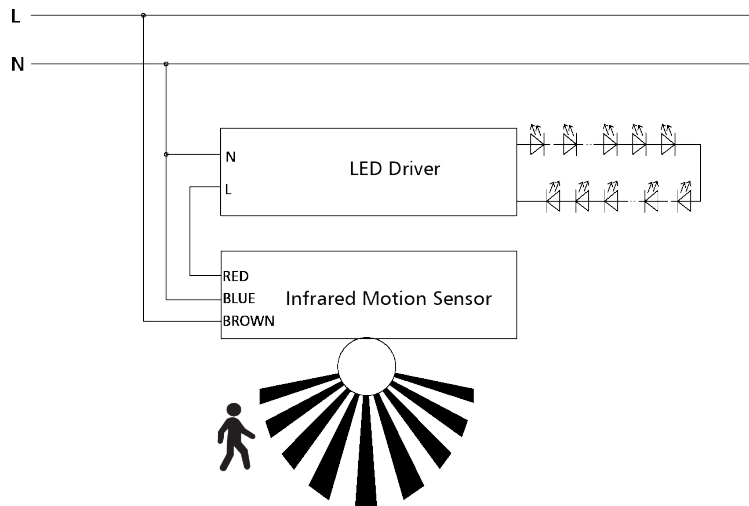
RBN19/SE

Cat	Watt	Colour Temperature	Lumen Output	CRI	Size Length x Width x Depth	IK Rating
RBN19-5	5W	3000K 4000K 5700K	543 563 542	80+	220 x 120 x 66	IK08
RBN19/G-5	5W	3000K 4000K 5700K	436 453 435	80+	220 x 120 x 69	IK08
RBN19/SE-5	5W	3000K 4000K 5700K	543 563 542	80+	220 x 120 x 66	
RBN19-10	10W	3000K 4000K 5700K	909 996 994	80+	220 x 120 x 66	IK08
RBN19/G-10	10W	3000K 4000K 5700K	753 800 801	80+	220 x 120 x 69	IK08
RBN19/SE-10	10W	3000K 4000K 5700K	909 996 994	80+	220 x 120 x 66	

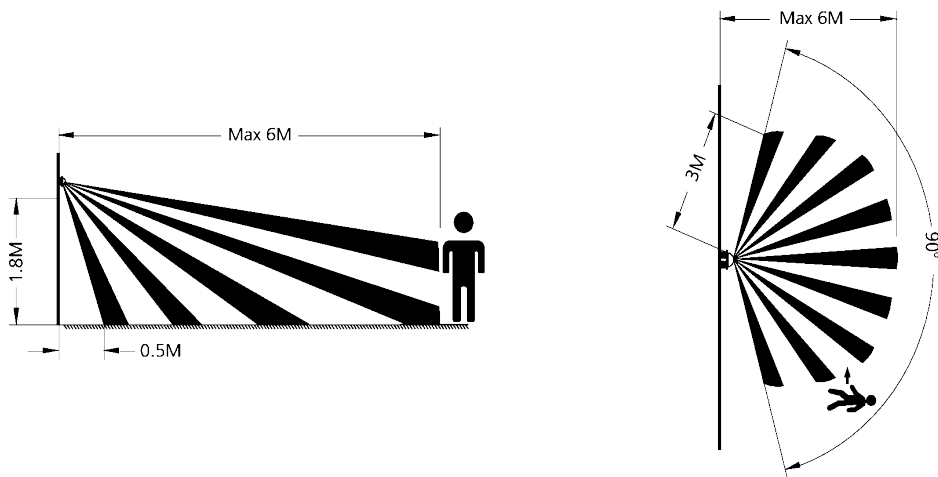
Lumen output based on Absolute lumens, 4000K LED chip and manufacturers rated mA drivers.

*** NOTE: Dimensions and Cut Out sizes may change without notification.

Wiring Diagram:



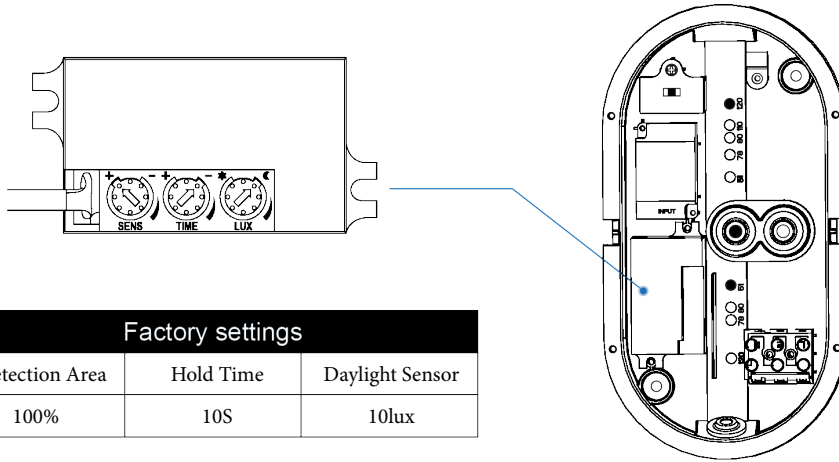
Detection Range Diagram



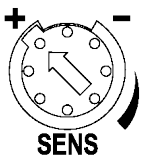
Lumen output based on Absolute lumens, 4000K LED chip and manufacturers rated mA drivers.

*** NOTE: Dimensions and Cut Out sizes may change without notification.

Sensor Setting:



Factory settings		
Detection Area	Hold Time	Daylight Sensor
100%	10S	10lux

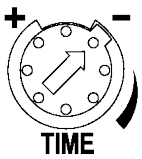


Detection Area:

The detection area can be adjusted by the knob, clockwise adjustment increases the sensitivity, counter clockwise adjustment reduces the sensitivity. The maximum detection distance is 6 meters and the minimum detection distance is 2 meters.

Note: The distance test is carried out under Ta25 °C, 1.8 meters wall mounting installation height. The test result is based on the movement along the tangential direction of the sensor. Detected distance can be adjusted by the dial switch.

Note: Infrared sensor will be affected by temperature. Too high or too low temperature may affect the detected distance or even cause failure to sensor.



Hold Time:

The hold time can be adjusted by the knob. Clockwise adjustment increases the hold time. Counterclockwise adjustment reduces the hold time. Maximum hold time is 7 minutes and the minimum hold time is 10 seconds.

Note: The hold time counting should be started after the sensor is powered on and initialized.



Daylight Sensor:

The light threshold can be selected through the knob. Clockwise adjustment increases the light threshold. Counter clockwise adjustment reduces the light threshold.

Maximum light threshold is 2000lux and the minimum light threshold is 10lux.

Note: The light threshold may cause a large deviation in different lamps.

Lumen output based on Absolute lumens, 4000K LED chip and manufacturers rated mA drivers.

*** NOTE: Dimensions and Cut Out sizes may change without notification.