



WM351 series IP65 vandal resistant LED wall lights with high efficacy LED chips and integral electronic LED driver.

LED lighting revolution and is making energy-wasting traditional lighting technologies obsolete through the use of energy efficient, environmentally friendly LED light.

WM351 series IP65 LED surface mounted luminaire designed with:

- Aluminium housing.
- UV-stabilised, Impact resistant opal polycarbonate diffuser.
- Silicon gasket for IP65 rating.
- Stainless steel fasteners.
- Microwave Sensor + Daylight Sensor option available

LED: SMD2835

Colour Temperature: Switchable: 3000K / 4000K / 5700K

Colour Rendering Index: CRI80+

Lamp's Life Time: 50,000Hrs L70 / B10 at 25 C°

Beam Angle: 200°

Driver options: Integral non-dimmable / Triac dimmable

IP Rating: IP65

IK Rating: IK06

Available Colour: Black or White

Applications:

Hospitals, Schools, Hotels, Shops, Supermarkets, Pathways, Factories and Aged Care Facilities.

Lumen output based on Absolute lumens, 4000K LED chip and manufacturers rated mA drivers.

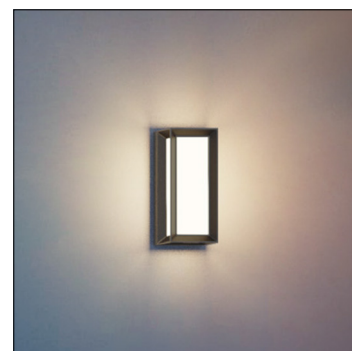
*** NOTE: Dimensions and Cut Out sizes may change without notification.



WM351-C3-8



WM351-C3-15



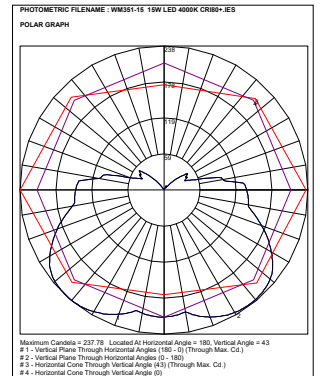
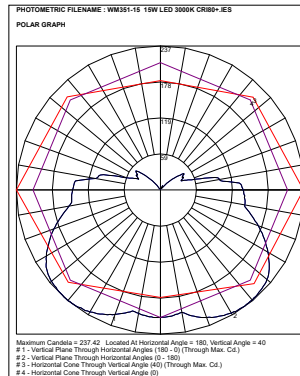
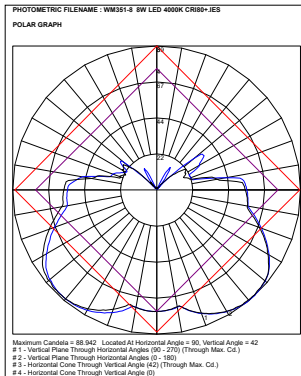
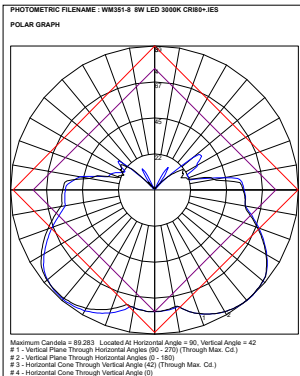
Cat	Watt	Colour Temperature	Lumen Output	CRI	Size Height x Width x Depth	IP
WM351-C3-8	8W	3000K 4000K 5700K	620 619 623	80+	110 x 110 x 120	IP65
WM351-C3-15	15W	3000K 4000K 5700K	1325 1327 1352	80+	250 x 110 x 120	IP65
WM351/SE-C3-8 with Sensor	8W	3000K 4000K 5700K	620 619 623	80+	251 x 167 x 80	IP65
WM351/SE-C3-15 with Sensor	15W	3000K 4000K 5700K	1325 1327 1352	80+	251 x 167 x 80	IP65

Optional Extras

Options	Suffix	Comments
Triac dimmable	DM	Integral Triac dimmable LED driver
Black	BK	Black body
White	WH	White body

Lumen output based on Absolute lumens, 4000K LED chip and manufacturers rated mA drivers.

*** NOTE: Dimensions and Cut Out sizes may change without notification.



Installation Manual

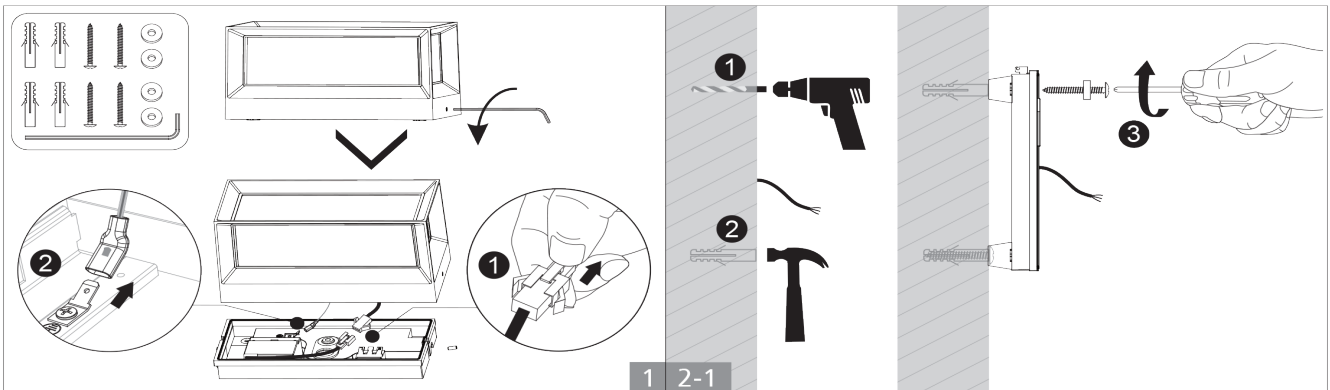
WARNING

1. Switch off before installation.
2. Switch on only after complete installation and examination of the circuit.
3. Professional electrician for installation and maintenance only.



Turn Off
Power Supply

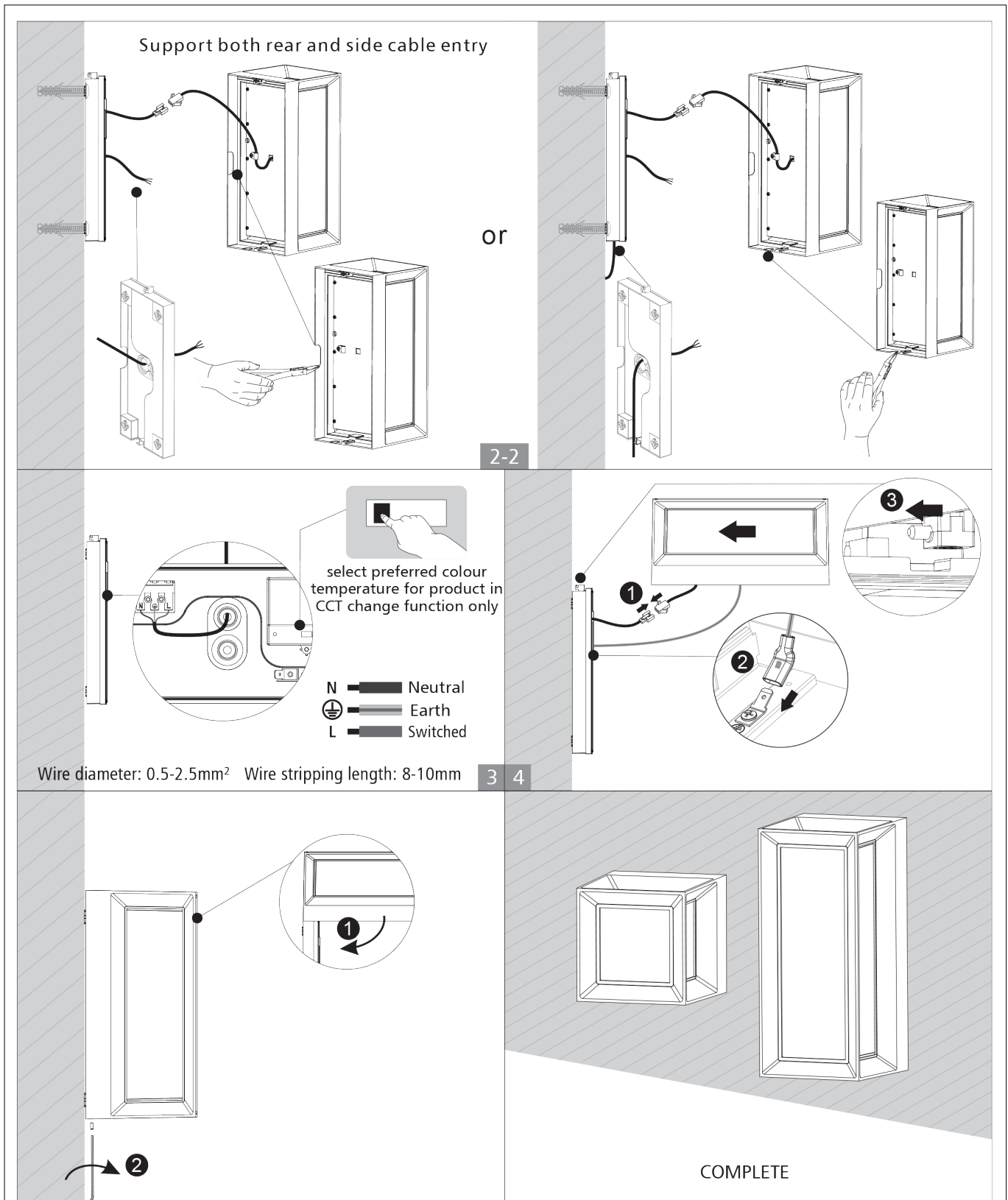
Wall mount installation



Lumen output based on Absolute lumens, 4000K LED chip and manufacturers rated mA drivers.

*** NOTE: Dimensions and Cut Out sizes may change without notification.

Installation Manual Continue



Lumen output based on Absolute lumens, 4000K LED chip and manufacturers rated mA drivers.

*** NOTE: Dimensions and Cut Out sizes may change without notification.