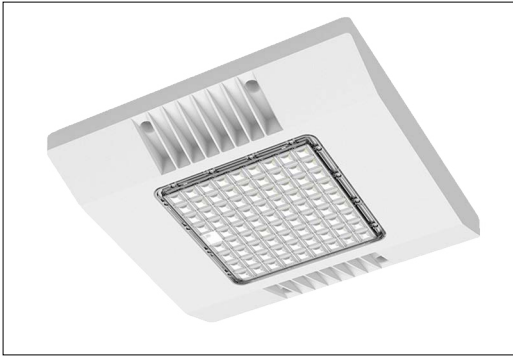
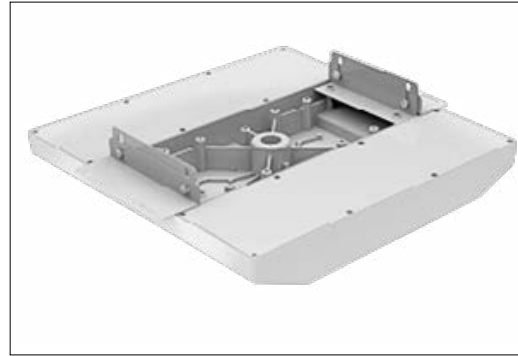


Surface mounted



Recessed mounted



RCPL series slim design LED Canopy light with various wattages.
Powder coated aluminium housing and high quality polycarbonate spread lens.
High efficiency Philips LED chips up to 160LM/W and integral electronic driver.
Various mounting options.

<u>Colour Temperature:</u>	2700K / 3000K / 4000K / 5000K
<u>LEDs Life Time:</u>	50,000Hrs L70 / B10
<u>CRI:</u>	CRI70+
<u>Beam Angle:</u>	90°
<u>Driver options:</u>	Non-dimmable / DALI Dimmable
<u>IP Rating:</u>	IP65
<u>IK Rating:</u>	IK09
<u>Mounting options:</u>	Surface mounted, Recessed
<u>Available Colour:</u>	White finish

Applications:

Warehouse, Canopy, Car park, Car park entrance, Petrol Stations

Lumen output based on Absolute lumens, 4000K LED chip and manufacturers rated mA drivers.

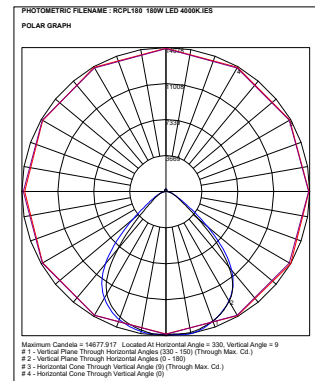
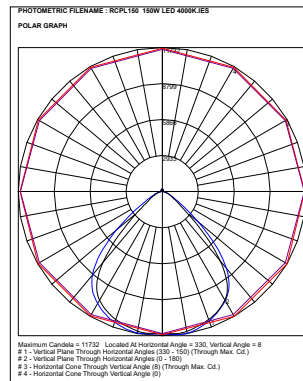
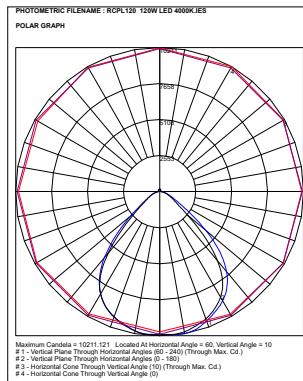
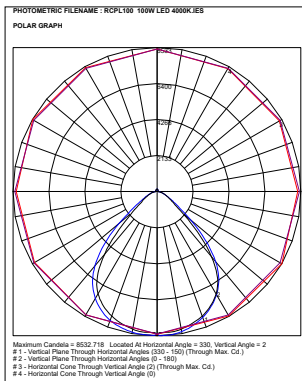
*** NOTE: Dimensions and Cut Out sizes may change without notification.

Surface mounted Canopy Light

Cat	Watt	Colour Temperature	Lumen Output 90°	Beam	Size L x W x H	IP	IK
RCPL-100	100W	4000K	16712	90°	383 x 383 x 61	IP65	IK09
RCPL-120	120W	4000K	20274	90°	383 x 383 x 61	IP65	IK09
RCPL-150	150W	4000K	23783	90°	383 x 383 x 61	IP65	IK09
RCPL-180	180W	4000K	29430	90°	383 x 383 x 61	IP65	IK09

Optional Extras

Options	Suffix	Comments
Surface mounted	SM	Surface mounted
Recessed mounted	PR	Recessed mounted
DALI Dimmable	EBD	Integral DALI Dimmable driver



Lumen output based on Absolute lumens, 4000K LED chip and manufacturers rated mA drivers.

*** NOTE: Dimensions and Cut Out sizes may change without notification.