



T/Bar recessed



Plaster recessed



PLT series Paramount LED luminaire has been designed for T/Bar recessed & Plaster recessed installation and to meet IP44 application. PMMA acrylic resin frosted diffuser designed to eliminate LED's hot spots, even distribution on the diffuser, whilst providing excellent light transmittance ratio.

Paramount luminaire designed to meet the requirements of various watt and lumen packages:

Watt:	from 16W up to 65W
Lumen:	From 1215 Lumen up to 8175 Lumen "based on 4000K CRI80"
CRI:	Cyanosis CRI90+, or CRI80+
Lamp's Life Time:	50,000Hrs L80 / B10
LED Driver:	Remote Non-dimmable or DALI/DSI Dimmable
Colour Finish:	White finish. Special colour finish is available on request.

Applications:

Hospitals, Offices, Foyers, Schools, Storage rooms.

Lumen output based on Absolute lumens, 4000K LED chip and manufacturers rated mA drivers.

*** NOTE: Dimensions and Cut Out sizes may change without notification.

COI Cyanosis series

Cat	System Watt	Luminaire Lumens	Colour Temperature	T/Bar Recessed Size L x W x H	CRI	COI
PLT63Q212IP-CY	12.6W	1416	4000K	590x290x70	90+	YES
PLT63/Q219IP-CY	19.2W	2130	4000K	590x290x70	90+	YES
PLT63/Q226IP-CY	25.9W	2845	4000K	590x290x70	90+	YES
PLT63/Q229IP-CY	29.4W	3202	4000K	590x290x70	90+	YES
PLT66/Q425IP-CY	25.3W	2758	4000K	590x590x70	90+	YES
PLT66/Q432IP-CY	31.9W	3455	4000K	590x590x70	90+	YES
PLT66/Q442IP-CY	41.8W	4499	4000K	590x590x70	90+	YES
PLT66/Q448IP-CY	48.5W	5194	4000K	590x590x70	90+	YES
PLT66/Q452IP-CY	51.9W	5542	4000K	590x590x70	90+	YES
PLT123/Q425IP-CY	25.3W	2831	4000K	1190x290x70	90+	YES
PLT123/Q425IP-CY	25.3W	2831	4000K	1190x290x70	90+	YES
PLT123/Q432IP-CY	31.9W	3546	4000K	1190x290x70	90+	YES
PLT123/Q442IP-CY	41.8W	4618	4000K	1190x290x70	90+	YES
PLT123/Q448IP-CY	48.5W	5332	4000K	1190x290x70	90+	YES
PLT123/Q452IP-CY	51.9W	5689	4000K	1190x290x70	90+	YES

CRI80+ series

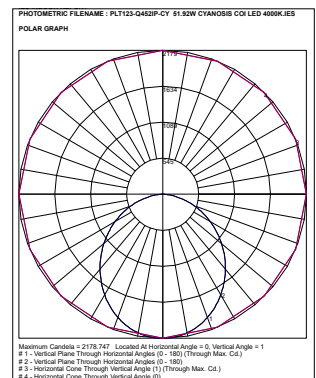
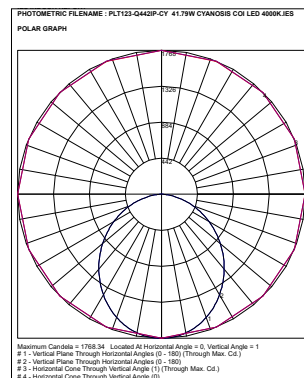
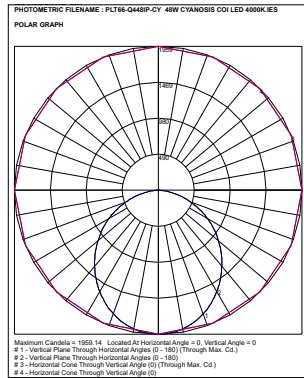
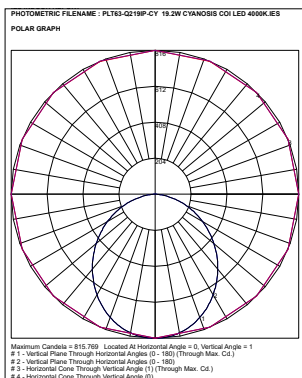
Cat	System Watt	Luminaire Lumens	Colour Temperature	T/Bar Recessed Size L x W x H	CRI	COI
PLT63/Q212IP	12.6W	1625	4000K	590x290x70	80+	NO
PLT63/Q221IP	20.9W	2651	4000K	590x290x70	80+	NO
PLT63/Q224IP	24.3W	3061	4000K	590x290x70	80+	NO
PLT63/Q227IP	27.7W	3473	4000K	590x290x70	80+	NO
PLT66/Q422IP	22.0W	2767	4000K	590x590x70	80+	NO
PLT66/Q438IP	38.5W	4766	4000K	590x590x70	80+	NO
PLT66/Q448IP	48.5W	5965	4000K	590x590x70	80+	NO
PLT66/Q455IP	55.3W	6766	4000K	590x590x70	80+	NO
PLT123/Q425IP	25.3W	3250	4000K	1190x290x70	80+	NO
PLT123/Q435IP	35.1W	4483	4000K	1190x290x70	80+	NO
PLT123/Q442IP	41.8W	5303	4000K	1190x290x70	80+	NO
PLT123/Q448IP	48.5W	6122	4000K	1190x290x70	80+	NO
PLT123/Q455IP	55.3W	6945	4000K	1190x290x70	80+	NO

Options:

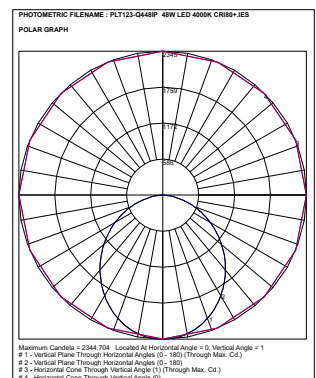
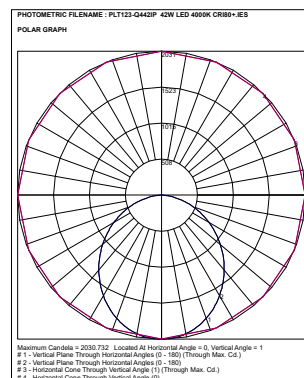
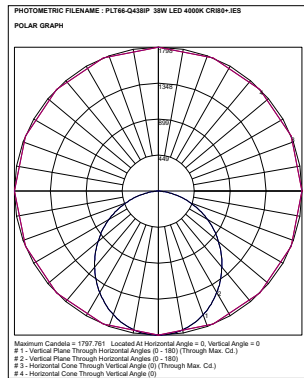
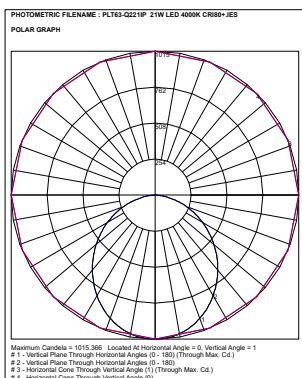
Specify as: (PLT123 - (XT or PR) - (Q442IP) - (EBD)-(CY)

Options	Suffix	Comments
T/Bar recessed version	XT	
Plaster recessing Kit	PR	Overall size: 625x325mm / 625x625mm / 1225x325mm
CRI80+ LEDs	C80	CRI80+ LED boards
Cyanosis LEDs	CY	COI compliant
DALI/DSI Dimmable driver	EBD	DALI/DSI dimmable LED driver

COI Cyanosis series



CRI80+ series



Lumen output based on Absolute lumens, 4000K LED chip and manufacturers rated mA drivers.

*** NOTE: Dimensions and Cut Out sizes may change without notification.